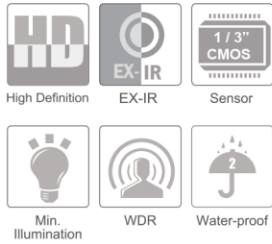


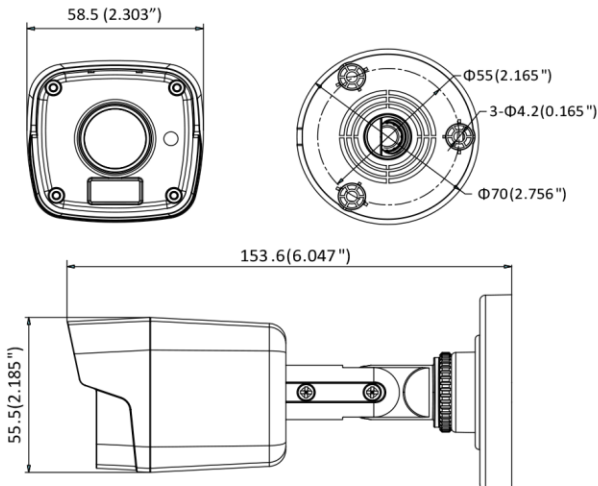
## 3MP HD TVI IR Bullet WDR Camera



### Key Features

- 3 Megapixel high-performance CMOS
- Analog HD output, up to 3MP resolution
- True Day/Night
- OSD menu, DNR, Smart IR
- True WDR, up to 120dB
- EXIR technology, up to 20m IR distance
- IP66 weatherproof
- Up the Coax

### Dimensions



### Specifications

| Model                | AC335-MB-2.8  | AC335-MB-3.6     |
|----------------------|---|------------------|
| <b>Camera</b>        |   |                  |
| Image Sensor         | 3MP CMOS Image Sensor   |                  |
| Effective Pixels     | 2052(H)*1536(V)   |                  |
| Min. illumination    | 0.01 Lux @ (F1.2,AGC ON), 0 Lux with IR                                 |                  |
| Shutter Time         | 1/25s to 1/50,000s  |                  |
| Lens                 | 2.8mm Fixed Lens  | 3.6mm Fixed Lens |
| Lens Mount           | M12   |                  |
| Day & Night          | ICR   |                  |
| Angle Adjustment     | Pan: 0° - 360°; Tilt: 0° - 90°;<br>Rotate: 0° - 360°                    |                  |
| Synchronization      | Internal Synchronization  |                  |
| WDR                  | 120dB   |                  |
| Video Frame Rate     | 1920×1536@18fps   |                  |
| HD Video Output      | 1 Analog HD output  |                  |
| S/N Ratio            | > 62dB  |                  |
| <b>Menu</b>          |   |                  |
| AGC                  | Support   |                  |
| D/N Mode             | Color/BW/SMART  |                  |
| White Balance        | ATW/ MWB  |                  |
| BLC                  | Support   |                  |
| Functions            | Wide Dynamic Range, Digital noise reduction, Mirror, SMART IR           |                  |
| <b>General</b>       |   |                  |
| Operating Conditions | -40 °C – 60 °C (-40 °F – 140 °F), Humidity 90% or less (non-condensing) |                  |
| Power Supply         | 12V DC ± 15%  |                  |
| Power Consumption    | Max. 5W   |                  |
| Protection Level     | IP66  |                  |
| IR Range             | Up to 20m   |                  |
| Communication        | Up the coax, Protocol: HIKVISION-C (TVI output)                         |                  |
| Dimensions           | 58.5mm×55.5mm×153.6mm (2.30"×2.19"×6.05")                               |                  |
| Weight               | Approx. 370g (0.82lb)   |                  |

Design and specifications are subject to change without notice.