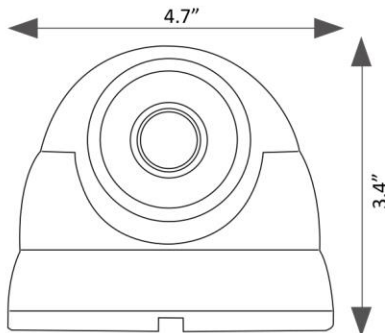


### Key Features

- 1/2.8" OV Sensor
- Resolution: 1920 x 1080
- 2D DNR
- IR Distance: 82~98ft
- 42 IR
- 2.8~12mm Vari-Focal Lens
- 12V DC



### Specification

Model	AHD-IRD2M42VF-W-S
<b>Camera</b>	
Image Sensor	1/2.8" 2.4MP OV Sensor
Effective Pixels	1920(H) × 1080(V)
Electronic Shutter	PAL:1/50s ~ 1/100,000s NTSC:1/60s ~ 1/100,000s
Min. Illumination	0.01Lux @ F1.2, (0Lux IR on)
Lens	2.8-12mm Vari-Focal Lens
View Angle	100°-30.8°(H), 64.5°-23.3°(V)
S/N Ratio	≥52dB
Video Output	1.0Vp-p
White Balance	Auto adaptive(Range 2200~10000K)
WDR	N/A
AGC	Automatic / manual
BLC	Automatic / manual
DNR	2D
<b>Image</b>	
Signal Format	AHD / 960H
Encode Mode	CBR
Image Quality	Not adjustable under CBR
Resolution	1080P (1920×1080)
Video Frame Rate	PAL:25fps@1080P NTSC:30fps@1080P
Image Setting	Brightness, Contrast, Sharpness, DNR, Color gain, exposure, mode etc.
<b>Functions</b>	
Remote Monitoring	By monitoring the video recorder
Day & Night	Auto / Manual / EXT
IR Distance	25-30m (82 ~ 98ft)
IR LED - count	Ø5 x 42 IR
OSD Menu	Yes, via Coax. Cable (COC)
Protection	IP66
<b>Others</b>	
Power supply	DC12V ± 10%
Power consumption	600mA
Working Environment	-4°F ~ 140°F (-20°C ~ +60°C)
Dimension	4.7" x 4.7" x 3.4" (120 x 120 x 86mm)
Weight	1.63LBS (0.74KG)