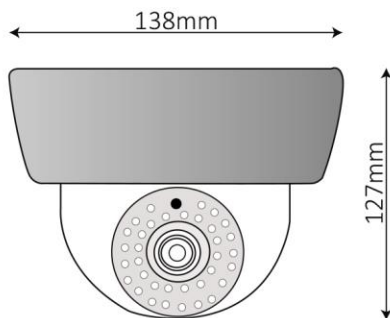


### Key Features

- 1/2.7" Progressive Scan CMOS
- 2D DNR
- AGC, BLC
- 35 IR
- 2.8~12mm Vari-Focal Lens
- Compatible with: AHD / TVI / 960H
- Indoor Use Only

### Dimensions



Model	HDA-DO2M80VF-IR-B/W
<b>Camera</b>	
Image Sensor	1/2.7" Aptina 2.4 Megapixel Sensor
Effective Pixels	1920(H)×1080(V)
Electronic Shutter	PAL:1/50s~1/100,000s NTSC:1/60s~1/100,000s
Min. Illumination	0.01Lux @ F1.2, (0Lux IR on)
Lens	2.8-12mm
View Angle	100°-30.8°(H),64.5°-23.3°(V)
S/N Ratio	≥45dB(Max 70 dB)
Video Output	1.0Vp-p
White Balance	Auto adaptive(Range 2200~ 10000K)
WDR	N/A
AGC	Automatic / manual
BLC	Automatic / manual
DNR	2D
<b>Image</b>	
Compatibility	AHD / TVI / Analog
Encode Mode	CBR
Image Quality	Not adjustable under CBR
Resolution	1080P (1920×1080)
Video Frame Rate	PAL:25fps@1080P NTSC:30fps@1080P
Image Setting	Brightness, Contrast, Sharpness, DNR, Color gain, exposure, mode etc.
<b>Functions</b>	
Remote Monitoring	By monitoring the video recorder
Day&Night	Auto / Color / BW / EXT
IR Distance	25-35m
IR LED - count	Φ5*35 IR
OSD Menu	Yes
Protection	N/A
<b>Others</b>	
Power supply	DC12V±10%
power consumption	550mA
Environment	- 30℃ ~ +60℃
Dimension	(138 x 138 x 127mm)
weight	0.36KG