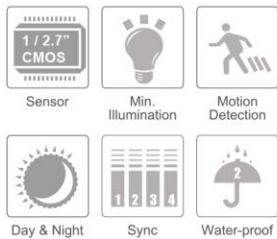


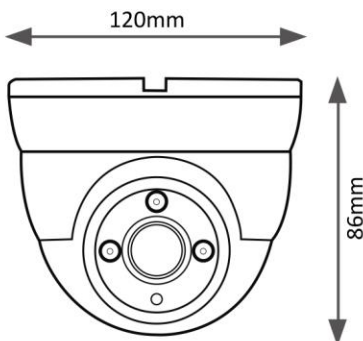
Specifications



Key Features

- 1/2.7" Aptina Sensor
- BLC, AGC, 2D DNR
- IR Distance: 25 ~ 30m
- 3 Super IR
- 2.8~12mm Vari-Focal Lens
- 12V DC

Dimensions



Model	HDA-IRD2M03HVFW-G/W
Camera	
Image Sensor	1/2.7" 2.4MP Aptina Sensor
Effective Pixels	1920(H)×1080(V)
Electronic Shutter	PAL:1/50s~1/100,000s NTSC:1/60s~1/100,000s
Min. Illumination	0.01Lux @ F1.2, (0Lux IR on)
Lens	2.8-12mm
View Angle	100°-30.8°(H), 64.5°-23.3°(V)
S/N Ratio	≥45dB(Max 70 dB)
Video Output	1.0Vp-p
White Balance	Auto adaptive(Range 2200~10000K)
WDR	N/A
AGC	Automatic / manual
BLC	Automatic / manual
DNR	2D
Image	
Compatibility	AHD / CVI / TVI / Analog
Encode Mode	CBR
Image Quality	Not adjustable under CBR
Resolution	1080P (1920×1080)
Video Frame Rate	PAL:25fps@1080P NTSC:30fps@1080P
Image Setting	Brightness, Contrast, Sharpness, DNR, Color gain, exposure, mode etc.
Functions	
Remote Monitoring	By monitoring the video recorder
Day & Night	Auto / Color / BW / EXT
IR Distance	25-30m
IR LED - count	3 Super IR
OSD Menu	Yes
Protection	IP66
Others	
Power supply	DC12V±10%
Power Consumption	660mA
Working Environment	- 30℃ ~ +60℃
Dimension	4.7" x 4.7" x 3.4" (120 x 120 x 86mm)
Weight	1.63LBS (0.74KG)