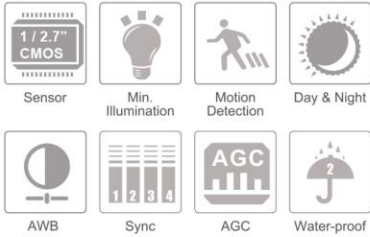


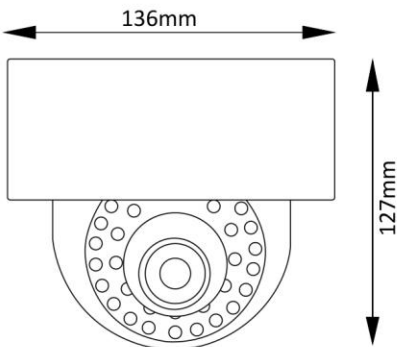
2Mp 3-In-1 AHD/TVI/960H Vandal Camera



Key Features

- 1/2.7" HD Aptina Sensor
- AGC, BLC, 2D DNR
- IR Distance: 25 ~ 30m
- Compatibility: AHD / TVI / Analog
- 35 IR
- 2.8~12mm Vari-Focal Lens
- 12V DC or 12V DC/24V AC (-D Model)

Dimensions



Model	HDA-VP2M35VF	HDA-VP2M35VF-D
Camera		
Image Sensor	1/2.7" HD Aptina 2.4Mp Sensor	
Effective Pixels	1920(H) × 1080(V)	
Electronic Shutter	PAL:1/50s~1/100,000s NTSC:1/60s~1/100,000s	
Min. Illumination	0.01Lux @ F1.2, (0Lux IR on)	
Lens	2.8~12mm Vari-Focal Lens	
View Angle	100°-30.8°(H),64.5°-23.3°(V)	
S/N Ratio	≥45dB(Max 70 dB)	
Video Output	1.0Vp-p	
White Balance	Auto adaptive(Range 2200~10000K)	
WDR	N/A	
AGC	Automatic / manual	
BLC	Automatic / manual	
DNR	2D	
Image		
Compatibility	AHD / TVI / Analog	
Encode Mode	CBR	
Image Quality	Not adjustable under CBR	
Resolution	1080P (1920×1080)	
Video Frame Rate	PAL:25fps@1080P NTSC:30fps@1080P	
Image Setting	Brightness, Contrast, Sharpness, DNR, Color gain, exposure, mode etc.	
Functions		
Remote Monitoring	By monitoring the video recorder	
Day & Night	Auto / Color / BW / EXT	
IR Distance	25-35m	
IR LED - count	Ø5 x 35 IR	
OSD Menu	Yes	
Protection	IP66, IK10	
Others		
Power supply	DC12V±10%	DC12V / AC24V±10%
Power consumption	550mA	
Working Environment	- 30°C ~ +60°C	
Dimension	(136 x 136 x 127mm)	
weight	0.83KG	